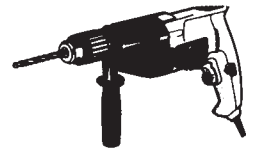




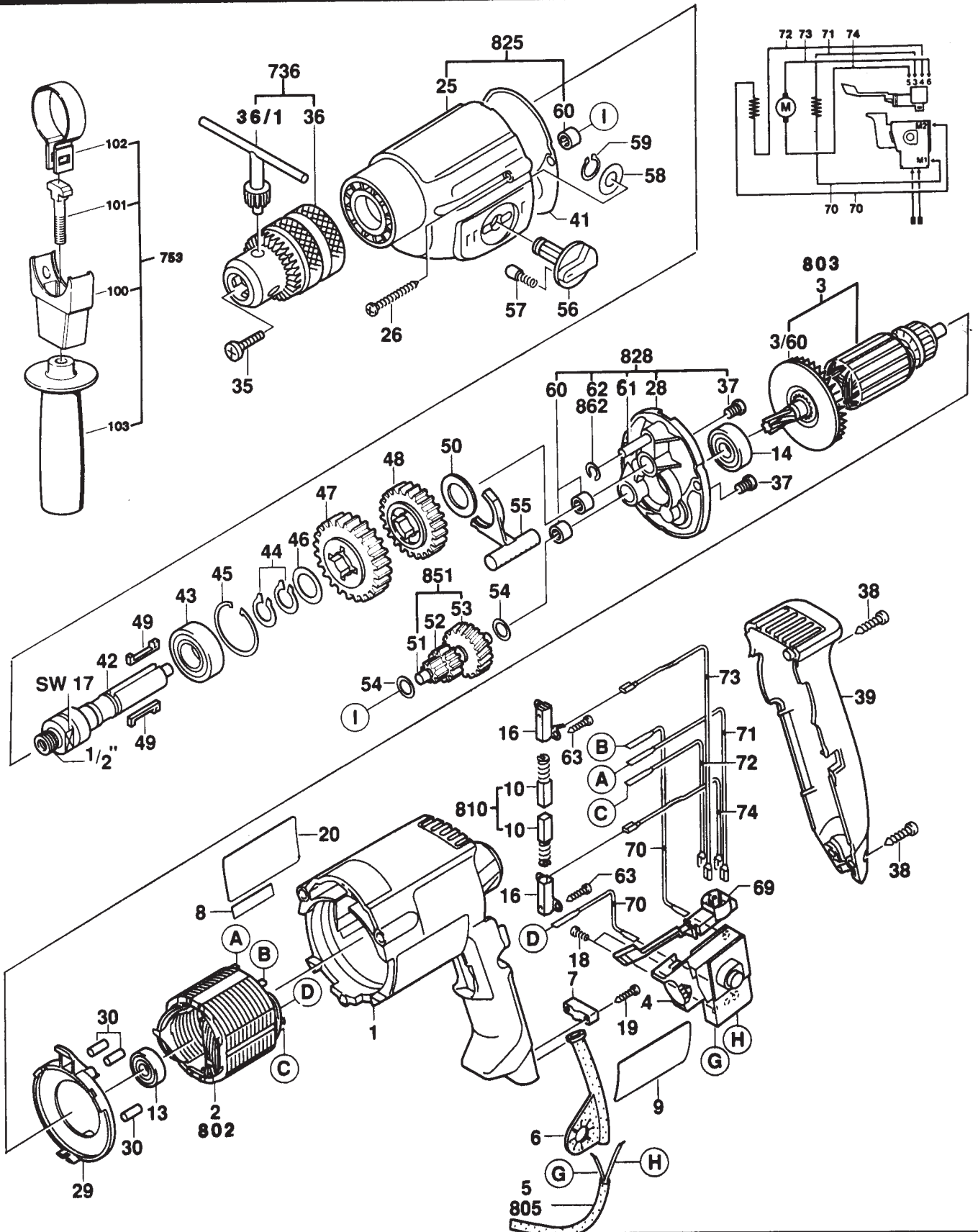
BOSCH

1/2" DUAL TORQUE DRILL 1169VSR



DOUBLE INSULATED 115V

SERVICE PARTS LIST - DECEMBER 1992



MARKETING NUMBER	MODEL NUMBER
1169VSR	060 1169 539

1/2" DUAL TORQUE DRILL 1169VSR

Pos.	Qty	Part number	Description	F/C	Pos.	Qty	Part number	Description	F/C
1	1	2 605 104 332	Motor Housing	71	51	1	See pos. 851	Pinion	-
2	1	See pos. 802	Field 115V	-	52	1	See pos. 851	Gear	-
3	1	See pos. 803	Armature 115V	-	53	1	See pos. 851	Gear	-
3/60	1	2 606 610 027	Fan	23	54	2	2 600 100 607	Shim 0.30mm	65
4	1	2 607 200 189	Switch VS w/Adj. Knob	17	55	1	2 602 033 007	Shift Fork	62
4.1	1	2 607 200 210	Switch VS	17	56	1	2 602 026 006	Gear Shift Lever	63
5	1	See pos. 805	Cord 115V 18/2	-	57	1	2 600 590 006	Cap/Spring	9
6	1	2 600 707 060	Strain Relief	11	58	1	2 600 100 618	Shim	65
7	1	2 601 035 001	Cord Clamp	89	59	1	2 916 080 007	Circlip	89
8	1	See pos. 808	Name Plate	-	60	3	2 600 914 010	Needle Bearing	56
9	1	3 601 119 817	Label "1169VSR"	9	61	1	2 603 105 043	Straight Pin	9
10	2	See pos. 810	Carbon Brush	-	62	1	See pos. 862	Circlip	-
13	1	1 900 905 018	Ball Bearing	60	63	4	2 910 611 005	Screw	89
14	1	2 600 905 039	Ball Bearing	61	69	1	2 607 200 231	Switch Rev.	16
16	2	2 604 337 003	Brush Holder	25	70	2	2 604 448 005	Cable 130mm	10
18	2	2 603 410 001	Screw	89	71	1	2 604 448 074	Cable 98mm	10
19	2	2 910 611 019	Screw	89	72	1	2 604 448 100	Cable 68mm	10
20	1	3 601 119 762	Label "Caution"	9	73	1	1 614 448 014	Cable 83mm	10
25	1	See pos. 825	Gear Housing	-	74	1	2 604 448 104	Cable 73mm	10
26	3	2 910 615 082	Screw	89	100	1	3 608 040 505	Clamp Holder	80
28	1	See pos. 828	Intermediate Plate	-	101	1	1 613 490 000	T-Bolt	80
29	1	2 601 328 046	Baffle	24	102	1	1 611 316 006	Clamping Band 43mm	80
30	3	3 602 391 503	Rubber Buffer	24	A 103	1	3 602 025 503	Handle	9
35	1	2 603 421 207	Rev. Screw	85	+ 110	1	1 601 110 449	Label "Warning"	9
36	1	See pos. 736	1/2" Chuck	-	A 736	1	3 608 571 509	1/2" Chuck Kit (CKK005)	91
36/1	1	See pos. 736/1	Chuck Key	-	A 736/1	1	3 608 571 532	Chuck Key (CRK005)	9
37	2	2 914 411 045	Screw	89	A 753	1	3 602 025 504	Handle Assembly	9
38	3	2 910 615 022	Screw	89	802	1	2 604 220 440	Field 115V	22
39	1	2 605 132 050	Handle Cover	74	803	1	2 604 010 857	Armature 115V	AW
41	1	2 601 015 012	Gasket	79	805	1	3 604 460 555	Cord 115V 18/2	11
42	1	2 606 135 011	Spindle 1/2"-20	52	808	1	3 601 119 795	Name Plate	9
43	1	1 900 905 110	Ball Bearing	51	810	1	2 604 321 905	Brush Set	26
44	2	2 916 650 006	Retaining Ring	89	825	1	2 605 806 994	Gear Housing Assembly	72
45	1	2 916 660 013	Retaining Ring	89			w/pos. 25,60		
46	1	2 600 100 695	Washer	65	828	1	2 605 700 940	Interm. Plate w/Bearings	38
47	1	2 606 316 102	Gear	32			w/pos. 28,37,60,61		
48	1	2 606 316 127	Gear	31	851	1	2 606 308 915	Gear Assembly	35
49	2	2 602 300 026	Drive Key	66			w/pos. 51,52,53		
50	1	2 600 101 668	Washer 1.50mm	65	862	1	2 916 080 006	Circlip (old)	89

SERVICE NOTES: