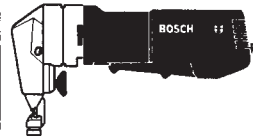




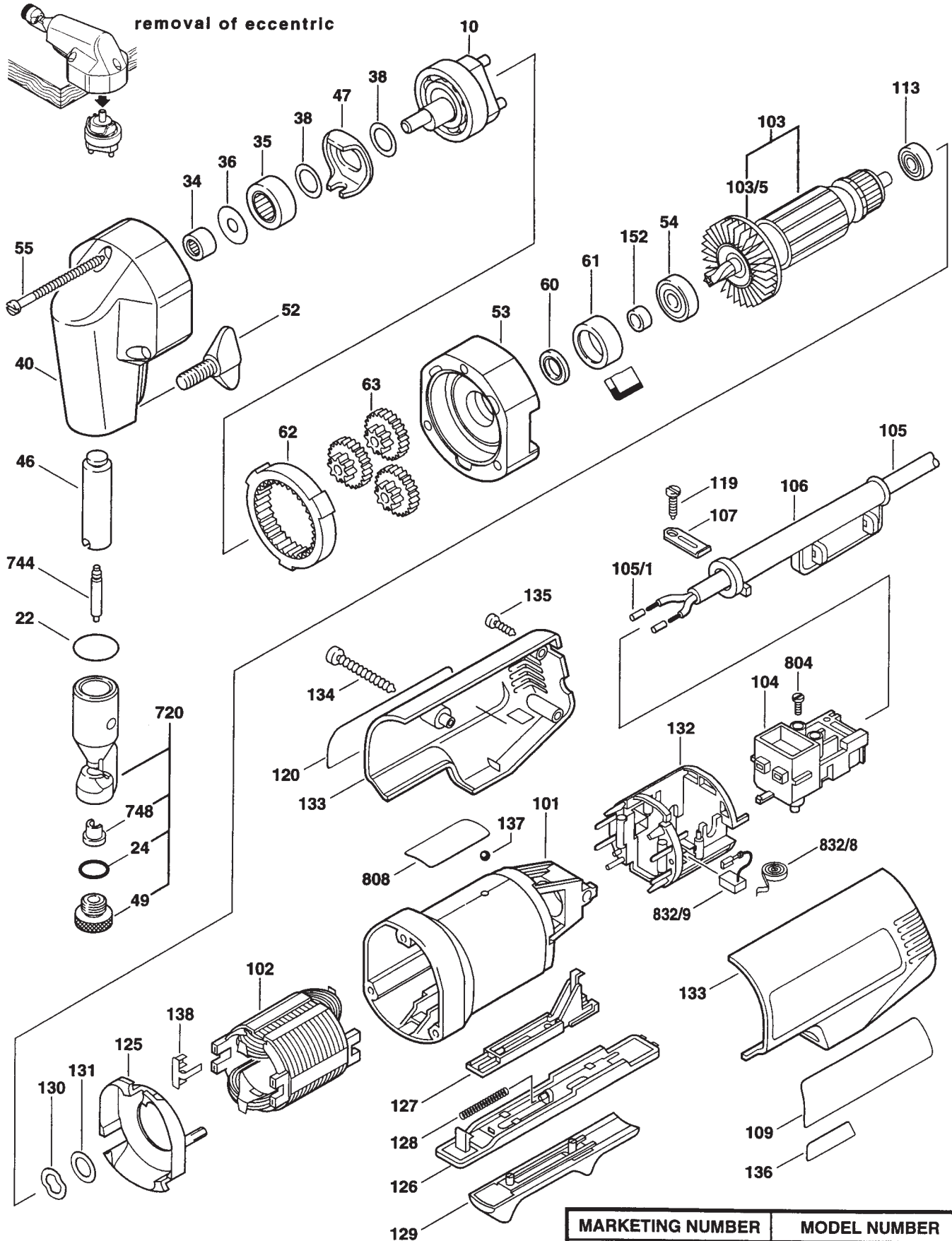
BOSCH

18 GAUGE NIBBLER 1529B



DOUBLE INSULATED 115V

SERVICE PARTS LIST - APRIL 1995



MARKETING NUMBER	MODEL NUMBER
1529B	060 1529 239

Pos.	Qty	Part number	Description	F/C	Pos.	Qty	Part number	Description	F/C
10	1	3 609 202 089	Eccentric Assembly	53	109	1	3 601 110 404	Label "1529B"	9
22	1	3 600 210 012	O-Ring	78	113	1	2 600 905 032	Ball Bearing	60
24	1	3 609 202 093	O-Ring	78	119	1	2 910 211 219	Screw	89
34	1	3 609 202 085	Needle Bearing	51	120	1	3 601 110 403	Label "Caution"	9
35	1	3 609 202 086	Needle Bearing	56	125	1	2 601 328 002	Baffle	24
36	1	3 609 202 087	Washer	65	126	1	2 608 001 005	Switch Rocker	9
38	2	2 916 190 049	Washer	65	127	1	2 608 001 008	Switch Slide	9
40	1	3 609 202 094	Gear Housing	72	128	1	2 604 611 033	Spring	27
46	1	3 609 202 095	Plunger	52	129	1	2 608 001 010	Switch Handle	9
47	1	3 609 202 081	Shield	9	130	1	2 600 150 003	Spring Washer	65
49	1	3 609 202 092	Nut	89	131	1	2 600 101 617	Shim 0.3mm	65
52	1	3 609 202 096	Wing Screw	89	132	1	2 604 337 056	Brush Holder Assembly w/pos. 832/8, 832/9	25
53	1	3 605 700 135	Intermediate Plate	38					
54	1	2 600 905 039	Ball Bearing	61	133	1	2 605 104 339	Motor Housing Cover	70
55	3	3 603 435 006	Screw	89	134	1	2 910 211 283	Screw	89
60	1	1 600 290 016	Seal	77	135	2	2 910 211 207	Screw	89
61	1	3 600 290 052	Rubber Sleeve	82	136	1	3 601 110 206	Label "On/Off"	9
62	1	3 600 112 004	Ring Gear	32	137	1	2 603 230 001	Ball 2.5mm	66
63	3	3 600 112 005	Eccentric Gear	34	138	1	2 601 329 037	Spring	27
101	1	2 605 108 060	Motor Housing	71	152	1	2 600 300 047	Sleeve	82
102	1	2 604 220 501	Field 115V	22	720	1	3 608 639 034	Die Carrier Assembly w/pos. 24, 49, 748	94
103	1	2 604 011 073	Armature w/Fan 115V	AW					
103/5	1	2 606 610 081	Fan	23	744	1	2 608 639 027	Punch	94
104	1	2 607 200 311	Switch On/Off	15	748	1	2 608 639 028	Die	94
105	1	3 604 460 555	Cord 115-120V 18/2	11	804	1	1 603 429 002	Screw	89
105/1	2	1 900 452 012	Terminal Sleeve	11	808	1	1 601 106 999	Nameplate	9
106	1	2 600 703 013	Strain Relief	11	832/8	2	1 604 652 013	Brush Spring	27
107	1	1 601 302 017	Cord Clamp	89	832/9	1	3 607 014 001	Brush Set	26

SERVICE NOTES: