

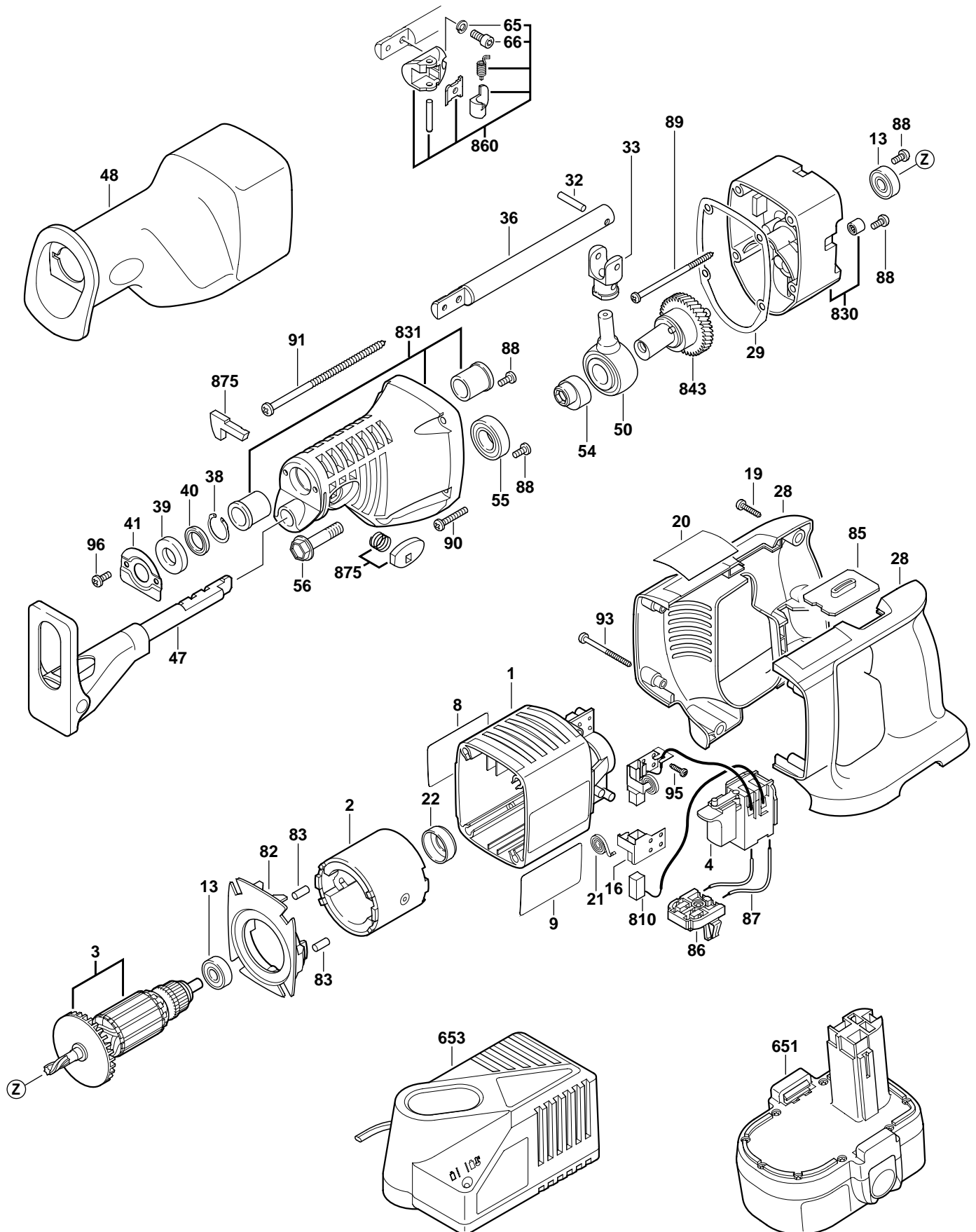
BOSCH

April 2001
INDUSTRIAL

18V RECIPROCATING SAW

Model 0601644739

1644



1644 18V RECIPROCATING SAW

Pos.	Part Number	Description {Qty.}	F/C	Pos.	Part Number	Description {Qty.}	F/C
1	2 610 995 800	Motor Housing	71	55	2 610 015 361	Ball Bearing	61
2	1 615 100 008	Field	22	56	2 610 995 829	Bolt	89
3	2 610 995 838	Armature w/Fan	AW	65	2 916 683 006	Lock Washer	65
4	2 610 995 801	Switch VS	17	66	2 910 131 152	Screw	85
8	2 610 997 888	Nameplate	9	82	2 610 995 833	Baffle	24
9	2 610 997 890	Label	9	83	3 602 391 503	Rubber Buffer {2}	9
13	2 610 993 526	Ball Bearing {2}	56	85	2 610 995 835	Lever	64
16	2 610 995 803	Brush Holder {2}	25	86	1 609 280 362	Contact Assembly	9
19	2 610 315 386	Screw {4}	89	87	2 610 907 407	Cable {2}	10
20	2 610 997 886	Label	9	88	2 610 907 504	Screw {9}	89
21	2 610 907 388	Spring {2}	27	89	2 610 991 306	Screw {2}	89
22	2 610 990 845	Bearing Sleeve	82	90	2 610 908 547	Screw {2}	89
28	2 610 995 805	Handle Assembly	74	91	2 610 995 848	Screw {2}	89
29	2 610 995 849	Gasket	79	93	2 610 348 550	Screw {2}	89
32	2 917 530 101	Pin	66	95	2 910 611 405	Screw {4}	89
33	2 610 995 810	Yoke	57	96	2 610 323 540	Screw {2}	89
36	2 610 995 812	Plunger	52	651	2 610 907 652	Battery 18V	18
38	2 610 027 867	Retaining Ring	89	653	2 607 224 431	Multi-Volt Charger	18
39	2 610 030 004	Felt Seal	77	810	2 610 995 834	Brush Set	26
40	2 610 995 815	Seal	77	830	2 610 995 813	Bearing Plate Assembly	38
41	2 610 995 816	Plate	65	831	2 610 995 814	Gear Housing Assembly	72
47	2 610 995 821	Foot Plate	81	843	2 610 995 817	Gear Assembly	32
48	2 610 995 826	Insulating Cover	70	860	2 610 995 820	Blade Holder Assembly	91
50	2 610 995 840	Wobble Plate	68			w/pos. 65, 66	
54	2 610 995 827	Sleeve	82	875	2 610 995 825	Lock Bolt Assembly	86

Service Notes: